



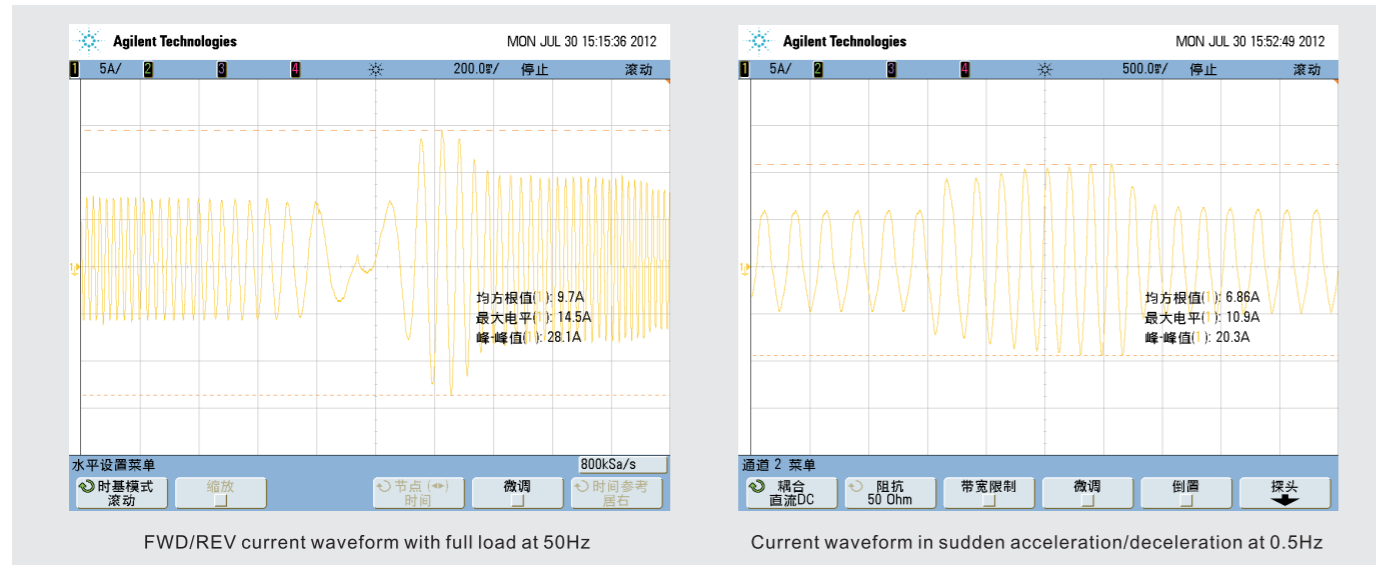
# Goodrive10 inverters

## Brief introduction of Goodrive10 inverters

Goodrive10 Series mini-economy inverters are designed for the small-power OEM application market. With The function of vectorization V/f control and PID function, multi- step speed, DC braking and Modbus communication and so on, the inverter has more advantages but occupied less installation space.

## Advantages

### 1. V/f control



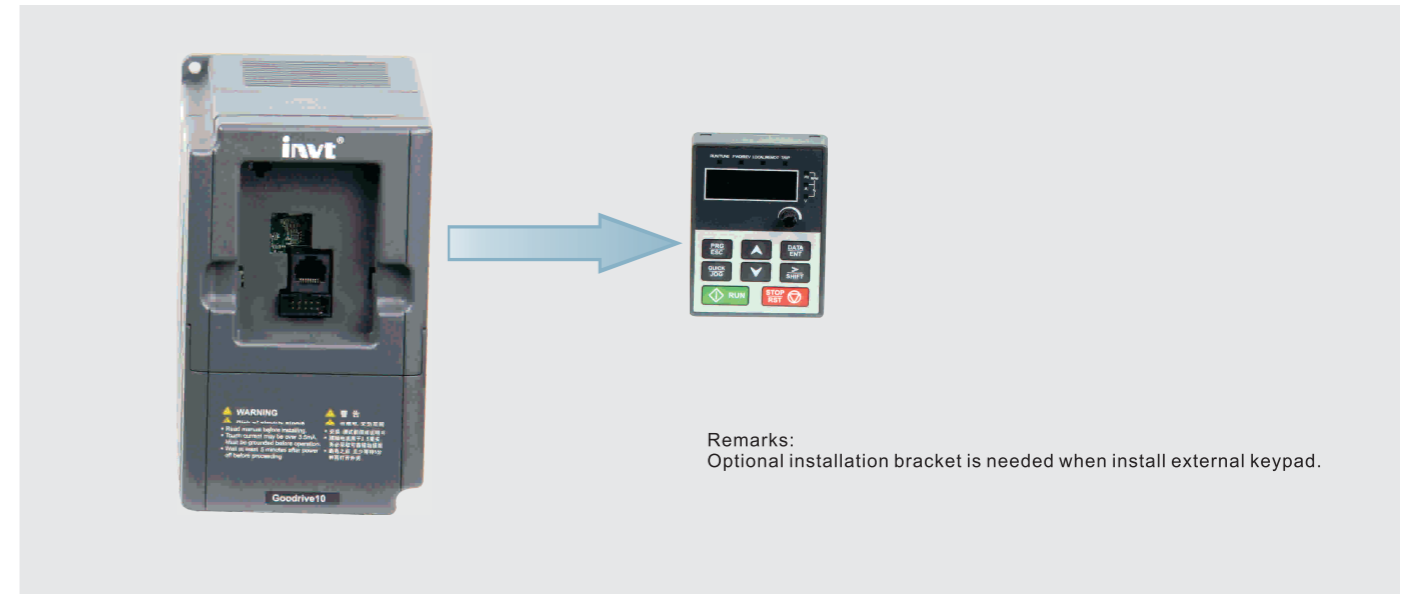
### 2. Natural cooling(for the applications with cotton and dust)



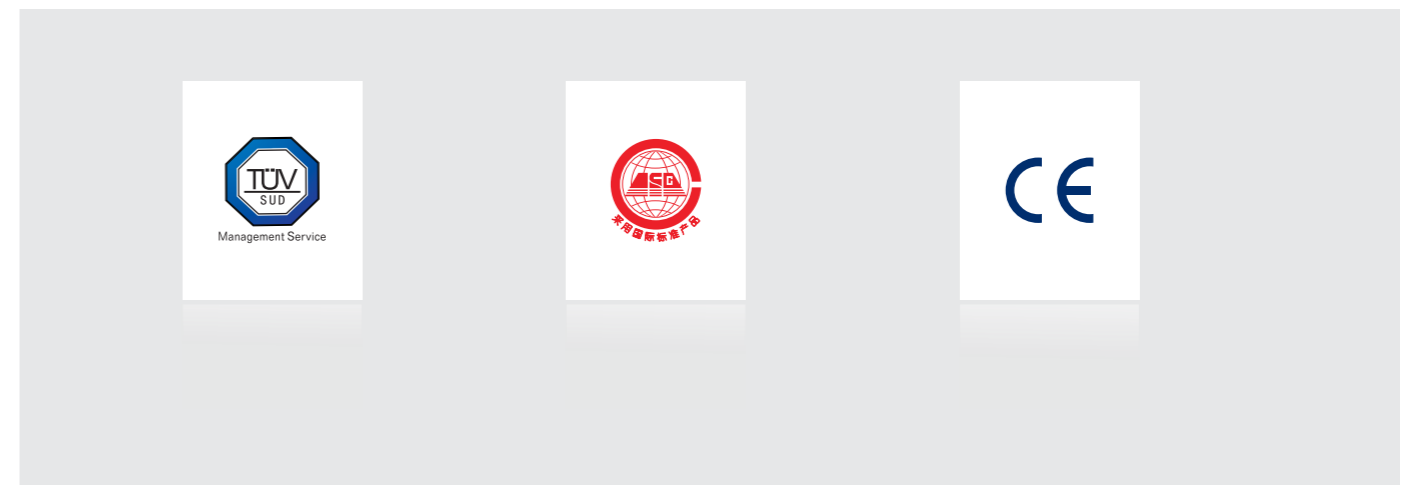
### 3. Mini structure, less installation space



### 4. Standard potentiometer and external LED keypad



### 5. Follow IEC GB standards, and meet the testing requirements of CE certification



### 6. Various function setting

- (1) Standard Modbus communication
- (2) Built-in PID
- (3) 16 steps multi-step speed control
- (4) Flexible V/f curve setting
- (5) Multi-function I/O terminal(the delay time can be set)
- (6) Fault protection at overcurrent, overvoltage, undervoltage, overtemperature and overload with detailed fault information
- (7) DC braking, flux braking and resistor dynamic braking
- (8) Overcurrent and overvoltage stall, stronger load adaptability

### Technical specifications

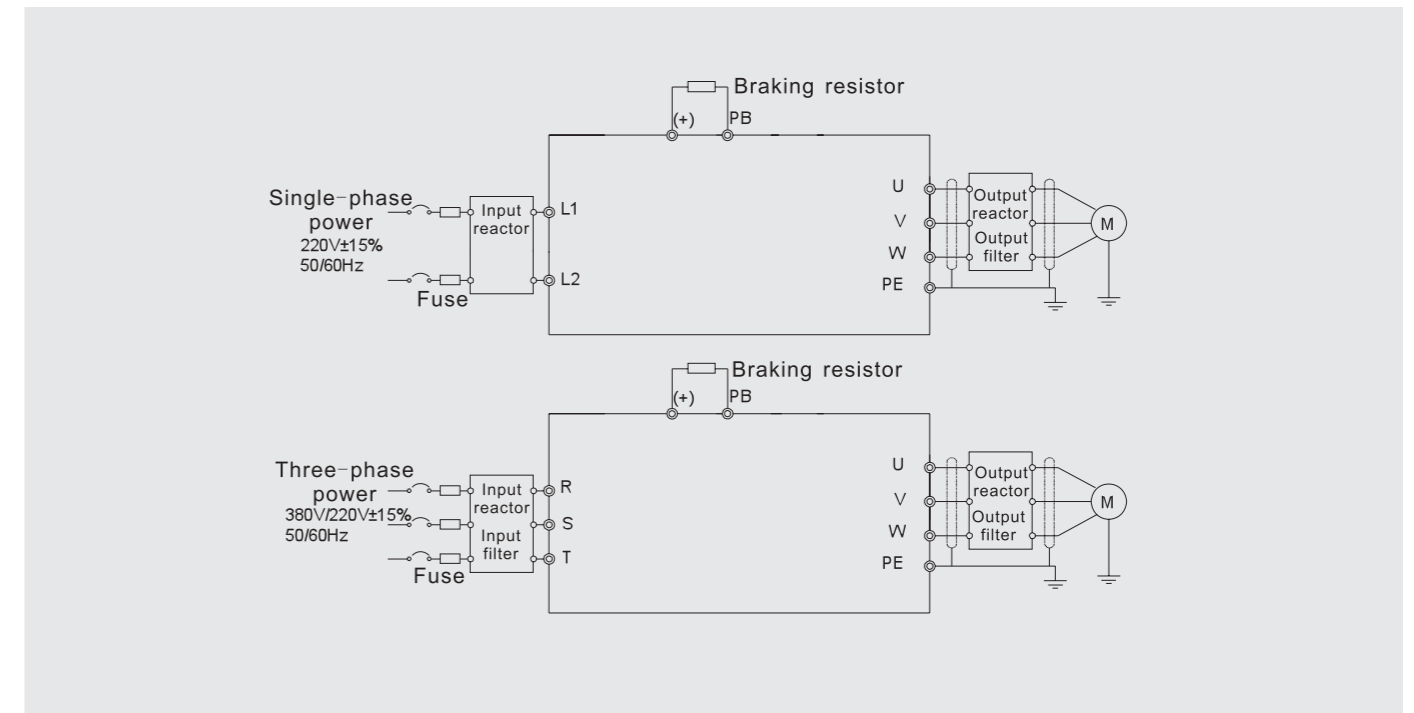
| Function                               | Specification   |
|--|---|
| Input voltage (V)                      | 230V; input voltage range: single phase or three phase 230V 10%                         |
|  | 400V; input voltage range: three phase 400V 15%   |
| Input frequency (Hz)                   | 50Hz or 60Hz Allowed range: 47~63Hz   |
| Output voltage (V)                     | Equal to input voltage with the deviation of less than 5%                               |
| Output frequency (Hz)                  | 50Hz/60Hz, Fluctuation range: 5%  |
| Control mode                           | V/f control   |
| Maximum output frequency               | 200Hz   |
| Adjustable-speed ratio                 | 0.111111111   |
| Overload capability                    | 150% of rated current: 1 minute   |
| Analog input resolution                | ≤20mV   |
| Digital input resolution               | ≤2ms  |
| Analog input/output                    | Input 1 0~10V or 0-20mA, output; 1 0~10V or 0~20mA                                      |
| Digital input/output                   | 5 Channels digital input, 1 Y terminal output and 1 programmable relay output           |
| Communication                          | MODBUS  |
| Mountable mode                         | Wall mountng  |
| Temperature of the running environment | -10~50℃, derate above 40℃   |
|  | Single/three-phase 230V 0.2-0.75kW natural cooling                                      |
| Cooling                                | Single/three-phase 230V 1.5-2.2kW, three-phase 400V 0.75-2.2kW                          |
|  |   |
| Fault protections                      | Overcurrent, overvoltage, undervoltage, overtemperature, overload and other protections |
| Braking unit                           | Only standard for GD10-B  |

### Applications:

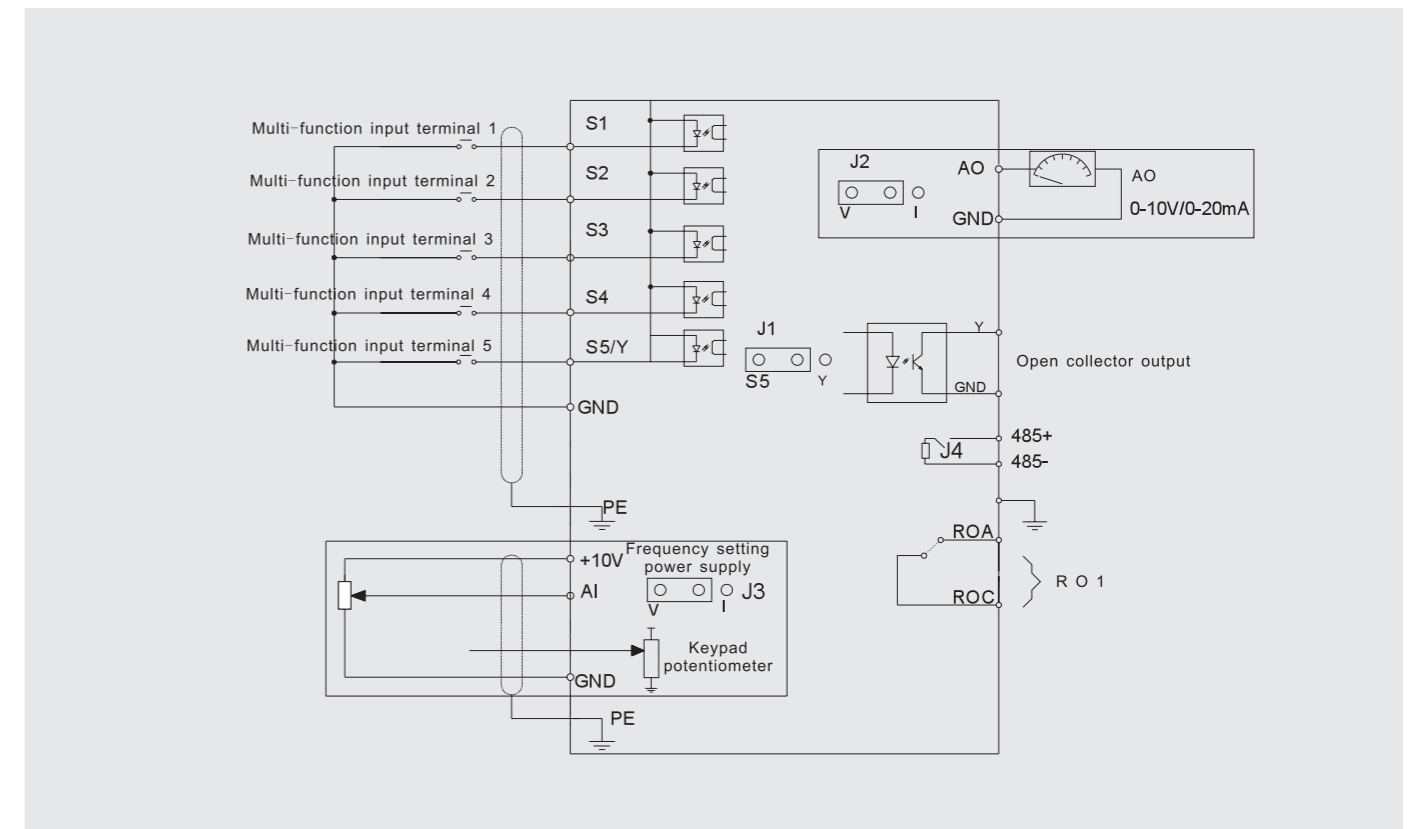
Packaging machinery, food machinery, textile machinery, centrifuge, engraving machine, and cutting machine, etc.

### Standard wiring

#### Wiring diagram of main circuit



#### Wiring diagram of control circuit



## Standard wiring

### Wiring diagram of main circuit

GD10 - 2R2G - 4 - B  
①      ②      ③      ④

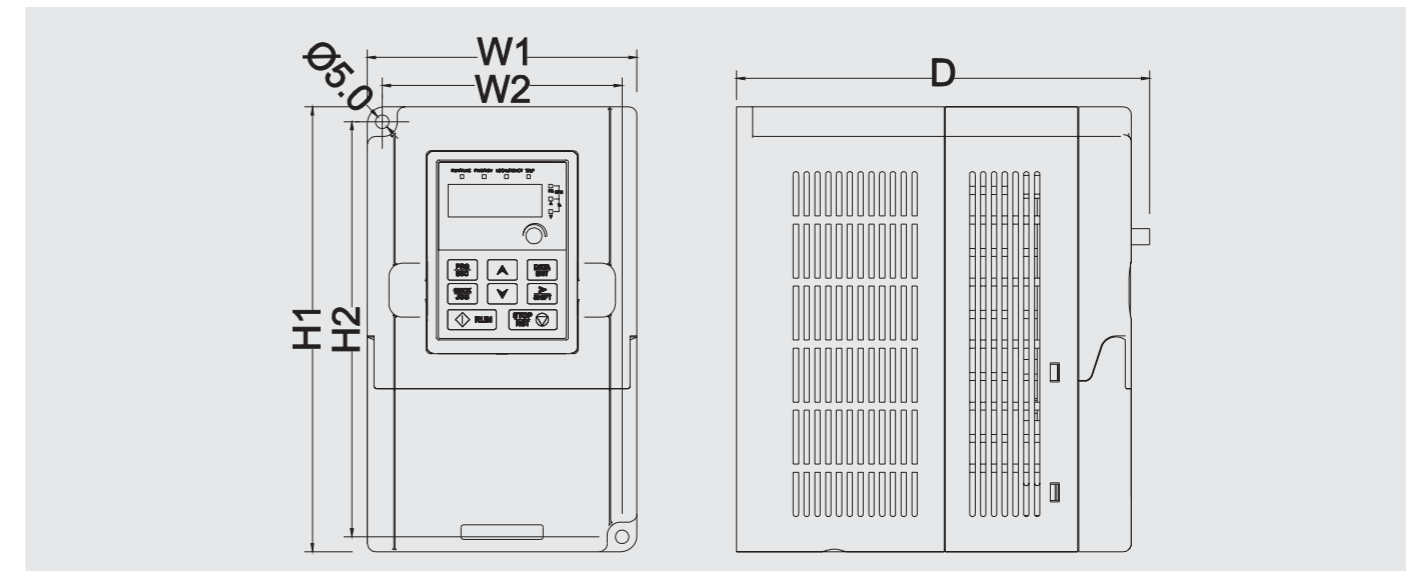
| Field identification | Sign | Detailed description of the sign | Detailed content               |
|----------------------|------|----------------------------------|--------------------------------|
| Abbreviation         | ①    | Product abbreviation             | Goodrive10 is shorted for GD10 |
| Rated power          | ②    | Power range + Load type          | 2R2-2.2kW                      |
|                      |      |                                  | GC onstant torque load         |
| Voltage degree       | ③    | Voltage degree                   | 4:three-phase 400V             |
|                      |      |                                  | 2: three-phase 230V            |
|                      |      |                                  | S2: single-phase 230V          |
| Lot No.              | ④    | Lot No.                          | Default: No braking unit       |
|                      |      |                                  | B: Built-in braking unit       |

### Rated specifications

| Model             |                | Output power(kW) | Input current(A) | Output current (A) |
|-------------------|----------------|------------------|------------------|--------------------|
| Single-phase 230V | GD10-0R2G-S2-B | 0.2              | 4.9              | 1.6                |
|                   | GD10-0R4G-S2-B | 0.4              | 6.5              | 2.5                |
|                   | GD10-0R7G-S2-B | 0.75             | 9.3              | 4.2                |
|                   | GD10-1R5G-S2-B | 1.5              | 15.7             | 7.5                |
|                   | GD10-2R2G-S2-B | 2.2              | 24               | 11                 |
| Three-phase 230V  | GD10-0R2G-2-B  | 0.2              | 1.9              | 1.6                |
|                   | GD10-0R4G-2-B  | 0.4              | 2.7              | 2.5                |
|                   | GD10-0R7G-2-B  | 0.75             | 4.9              | 4.2                |
|                   | GD10-1R5G-2-B  | 1.5              | 9                | 7.5                |
|                   | GD10-2R2G-2-B  | 2.2              | 15               | 11                 |
| Three-phase 400V  | GD10-0R7G-4-B  | 0.75             | 3.2              | 2.5                |
|                   | GD10-1R5G-4-B  | 1.5              | 4.3              | 4.2                |
|                   | GD10-2R2G-4-B  | 2.2              | 7.1              | 5.5                |

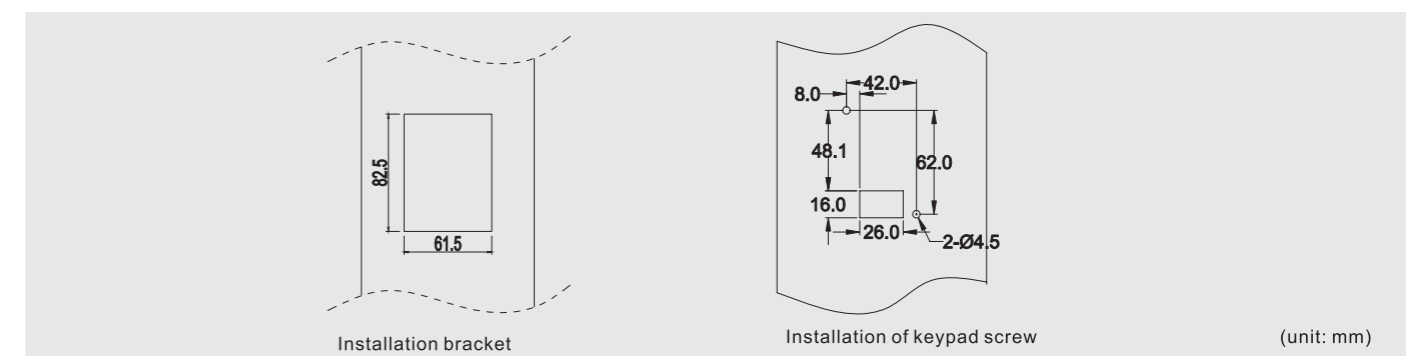
## Installation dimension

### 1. Inverter dimensions



| Model             |                | W1 (mm) | W2 (mm) | H1 (mm) | H2 (mm) | D (mm) |
|-------------------|----------------|---------|---------|---------|---------|--------|
| Single-phase 230V | GD10-0R2G-S2-B | 85      | 74      | 140     | 131.5   | 134.2  |
|                   | GD10-0R4G-S2-B | 85      | 74      | 140     | 131.5   | 153.2  |
|                   | GD10-0R7G-S2-B | 85      | 74      | 140     | 131.5   | 153.2  |
|                   | GD10-1R5G-S2-B | 100     | 89      | 165     | 154     | 153.2  |
|                   | GD10-2R2G-S2-B | 100     | 89      | 165     | 154     | 153.2  |
| Three-phase 230V  | GD10-0R2G-2-B  | 85      | 74      | 140     | 131.5   | 134.2  |
|                   | GD10-0R4G-2-B  | 85      | 74      | 140     | 131.5   | 153.2  |
|                   | GD10-0R7G-2-B  | 85      | 74      | 140     | 131.5   | 153.2  |
|                   | GD10-1R5G-2-B  | 100     | 89      | 165     | 154     | 153.2  |
|                   | GD10-2R2G-2-B  | 100     | 89      | 165     | 154     | 153.2  |
| Three-phase 400V  | GD10-0R7G-4-B  | 100     | 89      | 165     | 154     | 153.2  |

### 2. External keypad installation



(unit: mm)

Innovation, Value, Teamwork



## DAT TECHNOLOGY CO., LTD.

B163 Nguyen Van Qua Str., Dong Hung, Thuan Ward, Dist.12, HCMC, Vietnam  
Tel: +84-8-37157567 - Fax: +84-8-38916586 - Email: dat@dattech.com.vn  
Website: www.dattech.com.vn - www.invt.com.vn

*Satisfy your expectations*



Service line: 86-755-86312859 E-mail: overseas@invt.com.cn

SHENZHEN INVT ELECTRIC CO., LTD.

No. 4 Building, Gaofa Scientific Industrial Park, Longjing, Nanshan District, Shenzhen, China

|                     |                          |                                       |                  |                                   |
|---------------------|--------------------------|---------------------------------------|------------------|-----------------------------------|
| Electric Drive:     | ■ Frequency Inverter     | ■ Intelligent Elevator Control System | ■ Traction Drive |                                   |
| Industrial control: | ■ Servo & Motion Control | ■ Motor & Electric Spindle            | ■ PLC            | ■ HMI                             |
| New energy:         | ■ SVG                    | ■ Solar Inverter                      | ■ UPS            | ■ Online Energy Management System |

INVT Copyright.  
Information may be subject to change without notice during product improving.

201207 (V1.0)